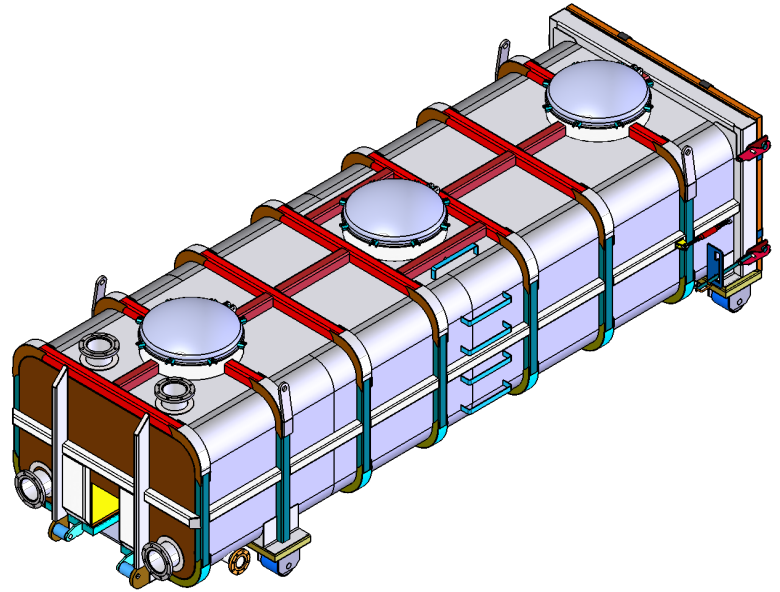


**VACUUM ADSORPTION VESSEL**  
**VAV675M-CRSS-36-8**

**PRODUCT DESCRIPTION**

675 ft<sup>3</sup>, Mobile, Vacuum Adsorption Vessel



**FEATURES**

- 4 lifting lugs for easy vessel unloading and placement
- 4 heavy duty rollers for mobility
- Transportable by roll-off truck or on a flatbed
- Hinged manways for easy media filling and removal
- Hinged bulkhead door for easy cleanout
- Sectional removable media support bar grating for easy cleanout
- Clip-in stainless steel screen over bar grating for easy installation
- Corrosion, chemical and chip resistant interior coating

**SPECIFICATIONS**

SPECIFICATIONS	
Overall Dimensions	23' L x 8' W x 6.5' H
Overall Internal Volume	17,600 lbs (8 sacks) of Ferrosorp Media
Vacuum Rating	Certified for 29" of Hg
Shell Construction	¼" carbon steel
Door Gasket	T-extruded neoprene gasket
Manways	3-36" top mount hinged manways
Door Close	12-point chain system
Interior Coating	Corrosion, chemical and chip resistant, glass flaked epoxy
Exterior Coating	UV resistant poly elastic urethane
Inlet Piping	Two 8" I.D. 304 SS with gas deflector plates
Outlet Piping	Two 8" I.D. x 17' 304 SS pipes
Inlet Connections	8" 304 stainless steel flanges
Outlet Connections	8" 304 stainless steel flanges
Drains	4" I.D. x 6" long, flanges